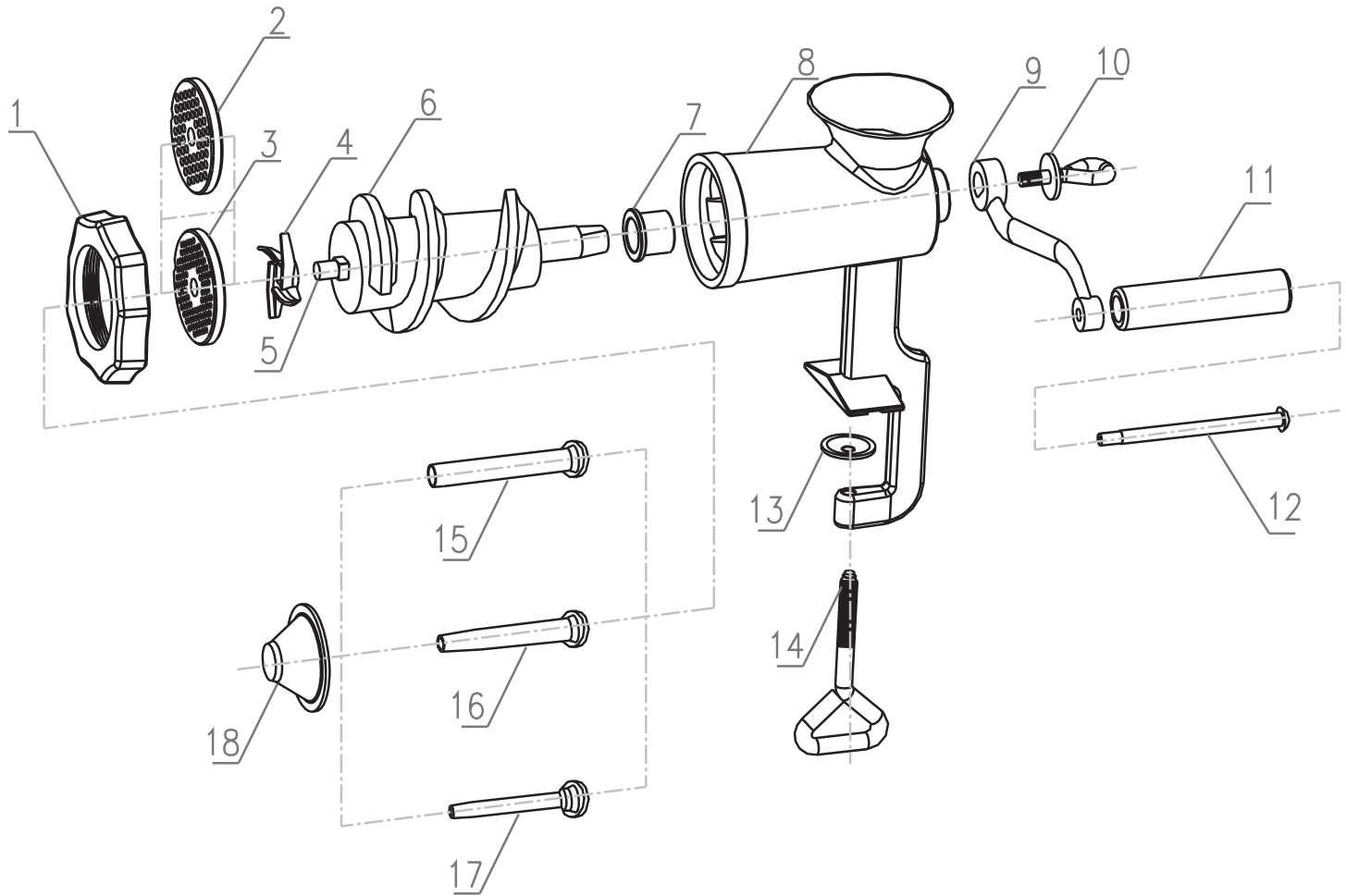


Parts Breakdown

Item 11003



Parts Breakdown

Item 11003

Item No.	Description	Position	Item No.	Description	Position	Item No.	Description	Position
41075	Hand Wheel for 11003	1	39511	Auger Bushing for 11003	7	74432	Stuffing Tube (1/2 Inches) for 11003	15
39318	3mm Grinding Plate for 11003	2	41076	Body for 11003	8	74433	Stuffing Tube (11/16 Inches) for 11003	16
39319	10mm Grinding Plate for 11003	3	74426	Handle Frame Assembly for 11003	9, 11-12	74434	Stuffing Tube (3/4 Inches) for 11003	17
74423	Knife for 11003	4	74427	Wing Screw for 11003	10	74435	Stuffing Tube Base for 11003	18
74424	Square Shaft for 11003	5	74430	Washer for 11003	13			
74425	Meat Auger for 11003	6	74431	Big Eye Screw for 11003	14			